

## SPECIFICATIONS

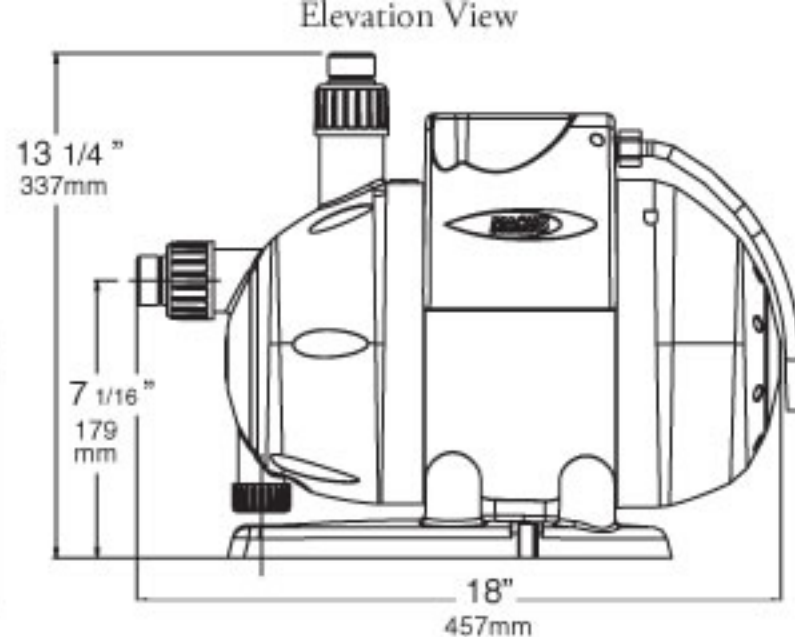
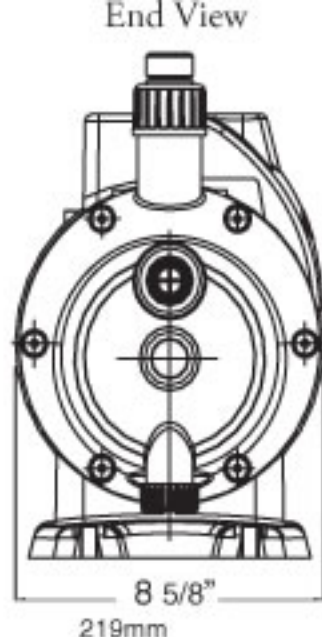
Liquid Temp.	32°F To 104°F
Ambient Temp.	32°F To 122°F
Max Pressure	67 PSI (4.5bar)
Max Flow	20 GPM (76 lpm)
Suction/Discharge	1" MPT (1" GAS)
Noise Level	<54 dB(A)
Weight	23lbs (10.4 kg)

## LISTING/CERTIFICATIONS

The Mach 5 has been tested and certified to surpass all requirements of Underwriters Laboratories UL 778 specifications for Motor Operated Pumps. The Mach 5 is CE approved.



Listing #01C01



*Note: Not recommended for salt water*

### Feel the Force

Taking a great shower is one of life's simple pleasures. The performance and stamina of a Mach 5 Water Pressure System turns ordinary showers into a truly invigorating experience.



Model	Voltage	Amps	Discharge Press. PSI (bar)			Max Shut Off PSI (bar)
			30 (2)	40 (2.7)	50 (3.4)	
			Flow in GPM (lpm)			
M5-115	115V/60hz	9	16 (60)	12 (46)	8 (31)	67 (4.5)
M5-230/60	230V/60hz	4	16 (60)	12 (46)	8 (31)	67 (4.5)
M5-230/50	230V/50hz	4	16 (60)	12 (46)	8 (31)	67 (4.5)